



# SPECIAL High-Flow

**With Fully Automatic SELF-CLEANING TECHNOLOGY**

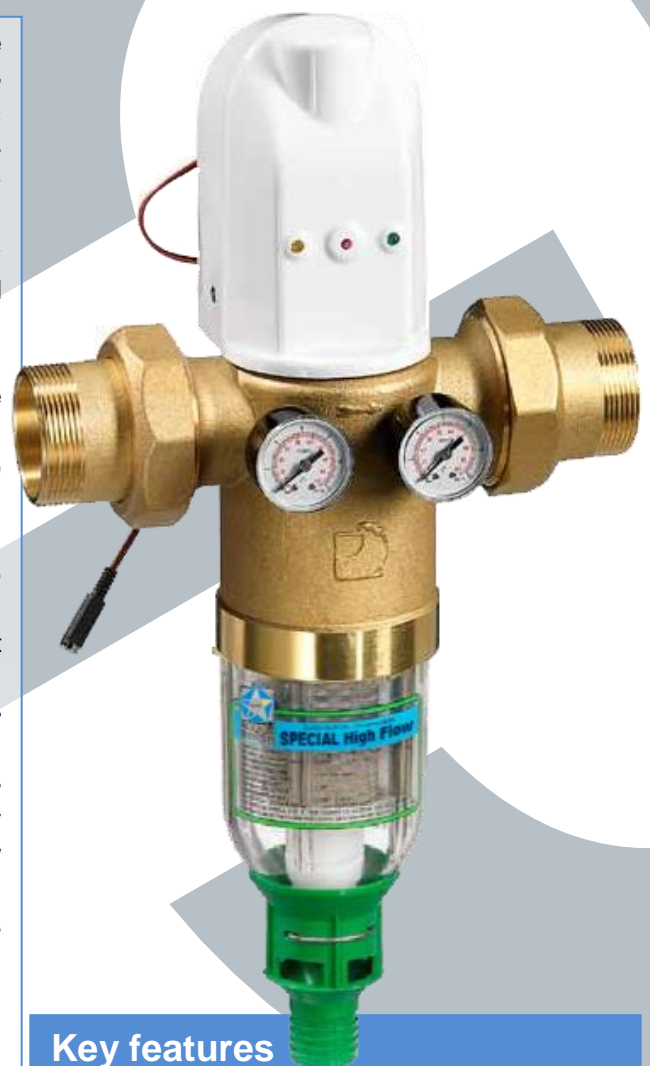
Raw water entering **SPECIAL High-Flow** Automatic flows from the outside toward the inside of the filtering cartridge. **SPECIAL High-Flow** Automatic is an automatic cleaning filter with an electronic control board which starts the filter cleaning in an operator-independent way. The innovative filter cleaning cycle is composed by two different actions: brushing of the filtering cartridge and opening of the discharge valve which creates a high speed tangential flow which removes impurities accumulated in the filter bowl. This method allows an efficient and thorough cleaning both of the filtering cartridge and the filter bowl. The filter cleaning cycle is started automatically by the electronic control board when a pre-set time interval has elapsed.

**SPECIAL High-Flow** Automatic head's is made in brass resistant to mechanical shear stresses due to installation which usually lead to breakage of plastic heads. The vessel, equipped with the discharge valve, is made in high-tenacity polyamide (maximum pressure 16 bar). The filtering surface is in stainless steel soldered on a stretched wire netting. The particular structure of the filtering cartridge makes it resistant to mechanical shocks and pressure gradients eliminating deformation and crushing of the filtering cartridge. **SPECIAL High-Flow** Automatic's cleaning brushes are equipped with silver inserts which contrast the bacterial proliferation in the filter. **SPECIAL High-Flow** Automatic meets Italian requirements for drinking water treatment. The standard filtration rating of **SPECIAL High-Flow** Automatic is 89 microns; other filtration ratings (30, 50, 150 microns) are available upon request. **SPECIAL High-Flow** Automatic is available in two versions:

- **SPECIAL High-Flow** Automatic – short cleaning cycle (adjustable cleaning interval: each 2 – 4 – 6 – 8 hours);
- **SPECIAL High-Flow** Automatic – long cleaning cycle (adjustable cleaning interval: each 12 – 24 – 36 – 48 hours).

**SPECIAL High-Flow** Automatic with 1½" and 2" connections are equipped with two pressure gauges to monitor pressure drop through the filtering cartridge enabling one to easily determine the degree of clogging. Furthermore **SPECIAL High-Flow** Automatic is equipped with a black button allowing to start manually, at any time, a washing cycle.

Further, **SPECIAL High-Flow** Automatic is endowed with an output signal (voltage free contact) which can be used to control, through an electrical auxiliary board, pumps, solenoid valves, alarms, etc.



## Key features

- Patented cleaning system brushing + drainage
- Connections from ¾" to 2"
- No need of cartridge replacing
- Resistance to high pressure and hot water
- Stainless steel cartridge
- Silver wires inside the brushes
- Entirely made with the best materials

# SPECIAL High-Flow

## Fully-Automatic Self-Cleaning Technology



### Technical Data, Installation and Cleaning

Cleaning filter **SPECIAL High-Flow** Automatic Self-Clean – (specify the model) – is suitable for filtering water, eliminating suspended particles, such as: sand, silt, metal particles, etc. up to 89 microns rating. The filter is suitable to protect domestic supplies, hydro- thermo-sanitary plants and equipments in general. Thanks to its patented cleaning system brushing + discharge, **SPECIAL High-Flow** Automatic Self-Clean guarantees an effectiveness well cleaning of filtering cartridge, as well as the discharge of impurities suspended in water. The presence of silver threads within the system cleaning ensures the maintenance of conditions that impede bacterial and algal proliferation inside the vase. Suitable for drinkable water

### Performance and Technical Data:

Model: SP		HFA 1	HFA 2	HFA 3	HFA 4	HFA 5
Connections	inches	¾"F	1"F	1¼"F	1½"M	2"M
Nominal Flow rate	m³/h	4.8	6.0	6.5	12.0	16.0
ΔP (Nominal flow rate)	bar	0.2	0.2	0.2	0.2	0.2
Stnd. Filtration Rating	µm	89*	89*	89*	89*	89*
Min-Max. Working Pressure	bar	1.5-16	1.5-16	1.5-16	1.5-16	1.5-16
Min-Max. Water Temp.	°C	5-30				
Cleaning Interval	hours	short cycle (2 - 4 - 6 - 8) ÷ long cycle (12 - 24 - 36 - 48)				
Cleaning Duration - Water consumption	sec - L	19 - 6				
TRANSFORMER** (in/out)	V	230/18**				
Head Material		Brass				
Bowl Material		Trogamid				
Cartridge Material		Stainless Steel AISI 304				
Brushes Material		Nylon Silver				

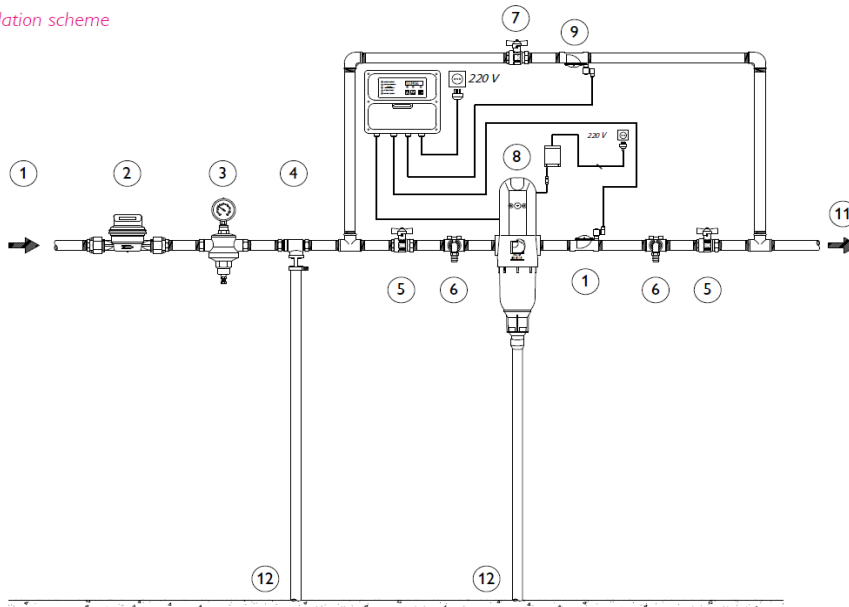
\* Other filtration ratings available on demand: 30, 50, 150 micron.  
 \*\* Available on request 110/18 V transformer.

### Dimension:

Model: SP		HFA 1	HFA 2	HFA 3	HFA 4	HFA 5
WIDTH (A)	mm	100	100	100	251	265
CONNECTION HEIGHT (B)	mm	237	237	242	292	292
TOTAL HEIGHT (C)	mm	408	408	408	459	459
MINIMUM HEIGHT FROM GROUND (D)	mm	400	400	400	600	600
DEPTH (E)	mm	90	90	90	120	120

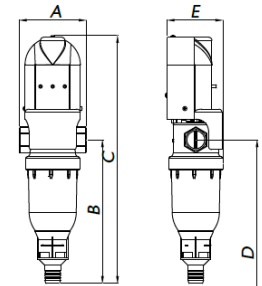
### Installation:

Installation scheme

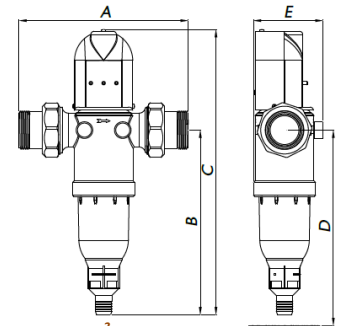


### Legend:

1. Cold water inlet; 2. Inlet water meter; 3. Pressure reducer; 4. Backflow prevention device; 5. Zone valves; 6. Sampling taps; 7. By-pass valve; 8. SPECIAL High-Flow Automatic filter; 9. Treated water outlet; 10. Discharge.



SP HFA 1: 4.8 m³/h  
 SP HFA 2: 6.0 m³/h  
 SP HFA 3: 6.5 m³/h



SP HFA 4: 12 m³/h  
 SP HFA 5: 16 m³/h

### Cleaning:



Brushes are formed by nylon bristles with a silver wire ensuring bacteriostatic conditions inside bowl.



It is available as accessory a green key to open and disassemble the filter.



Filtering cartridge in stainless steel AISI 304, with double o-ring sealing.

### Distributed by:

**Rebecca Filter® GmbH**  
 A Filter Company

Address: **Fahlrachstraße 14**  
**Mannheim**  
**D-68165**  
**Germany**  
 Tel: +49 621 87951-70  
 Fax: +49 621 87951-77

URL: <http://www.rebeccafilter.com>  
 Email: [info@rebeccafilter.com](mailto:info@rebeccafilter.com)